



# FIREPITS & FIREPLACES



San Juan fireplace and firepit underneath the Lodge pergola

*Gather round the glowing fire.*

Light up the night and add warmth to your outdoor space with one of our UL Safety listed firepits or fireplaces. Made specifically for the outdoors, these beautiful fire focal points will become the place to gather with friends and family. Enjoy the outdoor experience!



[OutdoorGreatrooms.com](http://OutdoorGreatrooms.com)



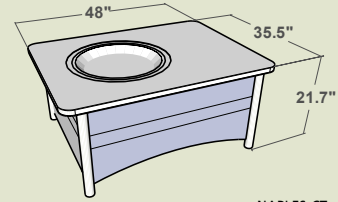
# firepits with crystal fire



## Naples Coffee Table

A beautiful wicker table and firepit all-in-one

- Outdoor rated resin wicker to match Kate's Collection Furniture
- Aluminum frame built to last and won't rust
- Access door conceals standard propane tank
- Includes black glass cover for Crystal Fire
- Order with Crystal Fire burner or optional Center Bowl



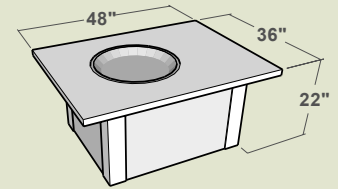
NAPLES-CT



## Sierra Coffee Table

This combination of stone and fire is timeless

- Outdoor rated Faux stone sides & durable Travertine Supercast Top
- Access door conceals standard propane tank
- Order with Crystal Fire burner or optional Center Bowl
- Available unfinished to apply natural stone



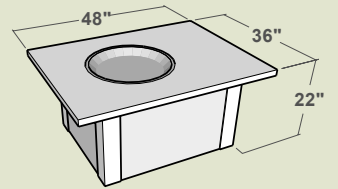
SIERRA-CF



## San Juan Coffee Table

A unique clean table design with built-in firepit

- Outdoor rated Stucco sides and durable Travertine Supercast Top
- Finished in beautiful Ameristone™ stucco
- Access door conceals standard propane tank
- Order with Crystal Fire burner or optional Center Bowl
- Available unfinished to apply natural stone



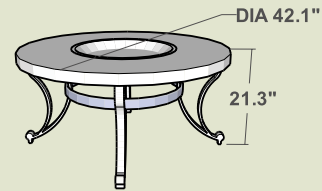
SANJUAN-CF



## Black Glass Table

The elegant, functional fire table

- Powder coated aluminum frame in Dora Brown
- Tempered 42\" round black glass top
- Includes black glass cover for Crystal Fire
- Order with Crystal Fire burner or optional Center Bowl



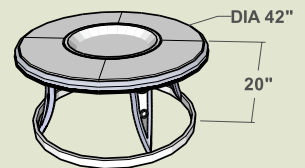
GLASS-42



## Granite Chat Table

Fire and stone have never been so pretty

- Powder coated aluminum frame in Dora Brown
- 42\" round top great for entertaining
- English granite will last forever
- Includes granite lazy susan style cover
- Order with Crystal Fire burner or optional Center Bowl



CFP42-K



## Tripod Campfire

Compact fire table fits anywhere

- Powder coated aluminum frame in Dora Brown
- Light enough to move, but large enough to stay in place
- Includes Crystal Fire burner and black glass cover



CFT-POD-K



# firepits with crystal fire

## Crystal Fire technology makes it beautiful

Choose from our attractive line of firepits that you can mix and match with our outdoor furniture. We have both tables and traditional looking campfires to suit any style.

These beautiful firepits use our patented Crystal Fire Burner. With just the push of a button, a beautiful glowing fire will appear atop a bed of tempered, tumbled glass. And you can change the look of your crystal fire by adding an optional logset or colored glass.

Adjust the flame height to your desired setting and enjoy your warm fire for up to 16 full hours using a standard 20 lb. LP tank. Or hook it up to an LP or natural gas line. Enjoy the magic and ambience of a warm glowing fire today.



Naples Firepit with Kate Collection Furniture



Close up of Crystal Fire



Sierra Coffee Table is perfect under a Patio pergola

## SanteFe-Traditional Campfire

Our realist-looking logset campfire will bring back memories of sitting around an open campfire in the serenity of the great outdoors. This attractive firepit will fit in almost any space and runs off LP tank or natural gas line.



SanteFe Campfire

# firepit accessories

PROPANE TANK COVERS/TABLES		LOGSET	LAZY SUSAN	GLASS COVER TOP	CENTER BOWL
CFP-42TC-GLASS	CFP-42TC	CF20-LOGS	CFP42-K3	CFT-GLASS	CFP42-K5

Attractive table is a great place to store your LP tank. Available with matching glass or granite top.

Add a realistic looking logset to your Crystal Fire for a rustic campfire look.

Granite top is also a lazy susan-great for entertaining.

Fits perfectly on our glass top Crystal Fire table. Ask about colored glass options.

Turns your campfire table into a place to store ice, food or anything you want.



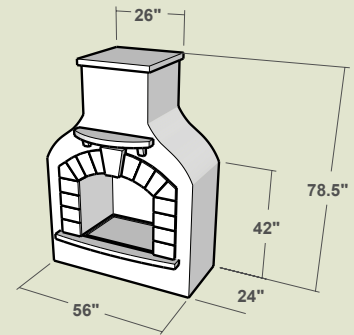
# outdoor fireplaces

## Sonoma Fireplace



Unique, warm and inviting

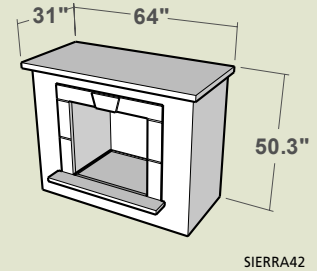
- Constructed from durable galvanized steel and Hardibacker™ cement board
- Finished in beautiful Ameristone™ stucco
- Beautiful Supercast™ top, mantel and insert provide beauty and durability
- Order LP or NG specific



## Sierra Fireplace

Classic ledgerstone hearth

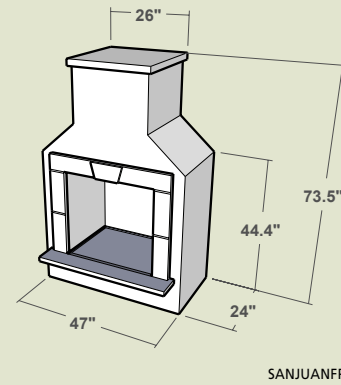
- Constructed from durable galvanized steel and faux stone front, sides and back
- Beautiful Supercast™ top and insert provide beauty and durability
- Order LP or NG specific



## San Juan Fireplace

Clean lines and simple elegance

- Constructed from durable galvanized steel and Hardibacker™ cement board
- Finished in beautiful Ameristone™ stucco
- Beautiful Supercast™ top and insert provide beauty and durability
- Order LP or NG specific



### MAKE IT YOUR STYLE.

All fireplaces can be purchased unfinished then finished on-site to be a perfect match to your home. Fireplaces weigh between 400-550lbs.

With one of our outdoor fireplaces, you can add value, warmth and a gathering place to your outdoor room. Order from our standard finish selections, or order these in a finish-ready form to be completed in your backyard to match your home. All our great fireplaces are available in either propane or natural gas.



12400 Portland Ave South • Suite 195 • Burnsville, MN 55337

Toll Free: 1-866-303-4028 • Fax: 952-358-7414

Sales@OutdoorGreatrooms.com • OutdoorGreatrooms.com