

# CAMPFIRE SERIES

## SIERRA FIRE PIT

A beautiful place to gather around the fire

The Sierra Firepit offers rugged charm and sophisticated technology. It is constructed of faux Stack Stone, which gives a realistic stone finish, plus a Super Cast Top and corner pieces. The final result is a beautiful, functional gathering place for family and friends that you will enjoy for years to come.



NOTE: Printing color may vary slightly from actual product.

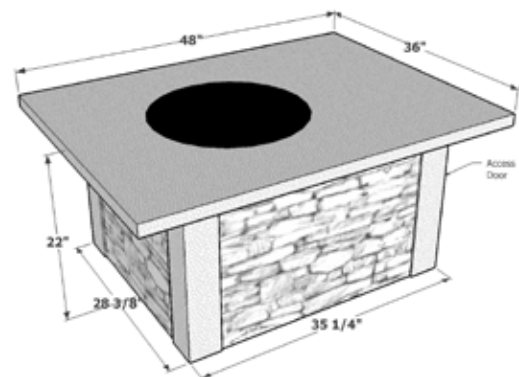
### Sierra Firepit Features

- Faux Stack Stone
- Realistic look – Outdoor Proven
- Super Cast Top and corners
- Optional Super Cast cover for crystal fire pit
- FDA approved top seal for easy spill clean up
- LP tank stored inside surround
- Crystal Fire produces 60,000 BTUs
- Option to replace burning unit with ice bucket
- Easy operation with side-mounted ignition and gas on/off valve
- Available in LP or NG fuels
- 1 year warranty

### Sierra Fire Pit Specifications

DESCRIPTION	MODEL	HEIGHT	WIDTH	DEPTH	WEIGHT
Sierra Fire Pit with ledger stone and supercast top (need CF-20-LP to complete)	SIERRA-CF	22"	48"	36"	150 lbs
Cover for Crystal Fire Burner	SIERRA-CF COVER	23" Diameter			10 lbs

\* See price list or website for all available surround options.



Dimensions above are in inches. Reference dimensions only. We recommend measuring individual units at installation. Refer to installation manual for detailed specifications on installing this product.



The Outdoor GreatRoom Company™

www.FireStoneHP.com • 1.866.303.4028