

# ISLAND SERIES

## ST. MARTIN ISLAND

One island you'll never want to leave!

The elegant, indirect recessed lighting alone makes the St. Martin an island of romance. Shown finished in tumbled marble (optional upgrade) the St. Martin Island offers pub seating for up to 6 guests. Once they're seated, a 4-speaker sound system entertains them while you whip up something delicious on your amazing Cook Number Grill.



Shown with optional upgraded 36i cook number and tumbled marble counter-top.

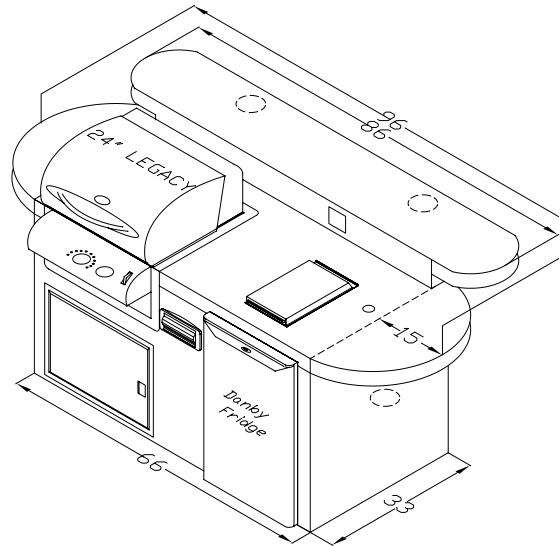
**NOTE:** Printing color may vary slightly from actual product.

### St. Martin Island Features


- Standard finishes with stucco sides and 12" x 12" tile on the top surfaces
- Built-in CD player/Radio and 4-speaker marine-grade sound system
- Fire Stone Legacy 24i or 36i Cook Number Grill. Convection technology - no hot or cold spots. Grill, Sear, Roast, and Bake
- 4.4 Cubic Inch refrigerator
- Gas Side Burner (15,000 BTU)
- 24" stainless steel door hides LP tank and provides ample storage
- Recessed Lighting (3 lights)
- Umbrella-ready with cut-out and stainless steel sleeve
- Six stucco colors and ten tile styles to choose from
- 12" X 12" tumbled marble finish upgrade available

### St. Martin Island Specifications

| MODEL             | COUNTER HEIGHT | BAR HEIGHT | WIDTH | DEPTH (including back shelf) | NET WEIGHT |
|-------------------|----------------|------------|-------|------------------------------|------------|
| St. Martin Island | 38"            | 43"        | 96"   | 45"                          | 450 lbs    |



Dimensions above are in inches. Reference dimensions only. We recommend measuring individual units at installation. Refer to installation manual for detailed specifications on installing this product.

Patent Pending 



*Think outside...*

[www.FireStoneHP.com](http://www.FireStoneHP.com) • 1.866.303.4028